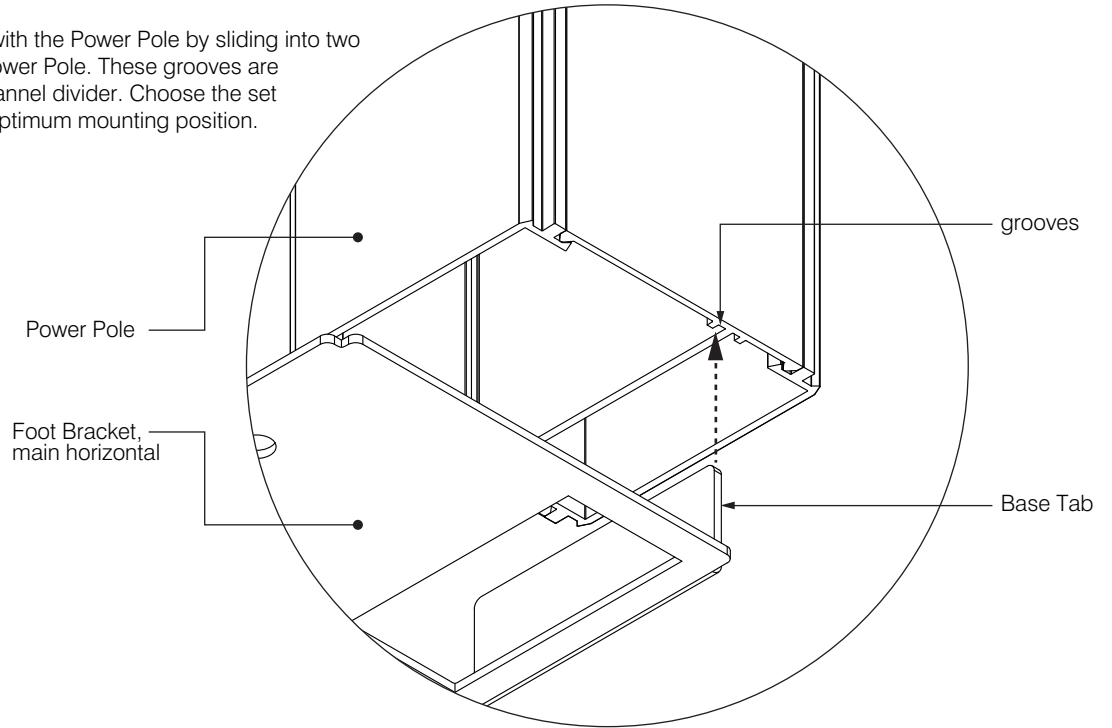


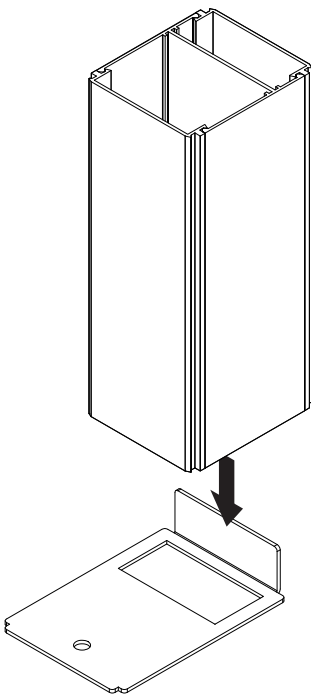
# Foot Bracket Mounting

The Foot Bracket has two parts: The the main horizontal with holes for mounting and wire routing, and the base tab which is bent 90° up from the main horizontal.

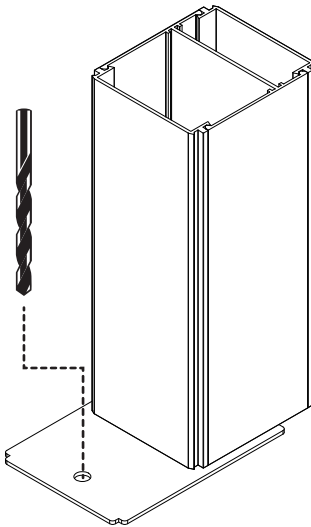
The Foot Bracket will interface with the Power Pole by sliding into two grooves on the interior of the Power Pole. These grooves are located on both sides of the channel divider. Choose the set that provides the safest, most optimum mounting position.



Step 1  
Insert Base Tab into  
Power Pole grooves



Step 2  
Locate and drill hole  
into mounting surface



Step 3  
Secure fastener through  
hole in Foot Bracket into  
mounting surface

