

Pre-Wired Power Pole Installation Guide



Before installation, remove the Power Pole and all accessories from the shipping carton. Any missing or damaged components should be reported.

Step 1 - Pole Placement

- Determine the points at which the Power Pole will be installed.
- Remove the ceiling tile at the mounting point.
- Affix the T-Bar mounting bracket to the ceiling tile grid using the included thumb screw. (See Fig. 1)

Step 2 - Pole Installation

- Carefully move the Power Pole into the T-Bar mounting bracket so it maintains a vertical position.
- Hold the Power Pole in place with the included thumb screw by threading it through the T-Bar's side hole and against the side of the Power Pole.
- Using a level, adjust for plumb and anchor the Power Pole at its bottom with the foam pad, "L" foot bracket, or cup bracket.

If required, a length of All-Thread may also be used to connect the T-Bar mounting bracket to the roof structure.

Step 3 - Power Connections

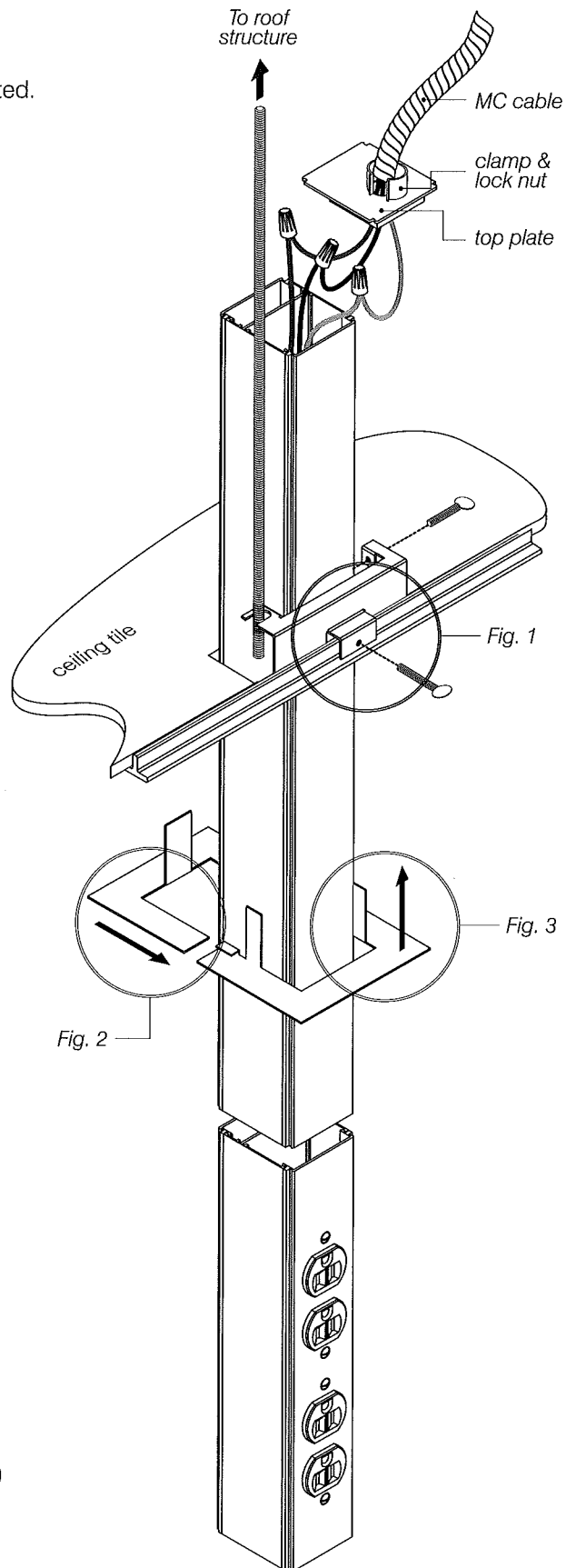
- Remove the top plate from the Power Pole by removing its two side screws.
- Secure MC cable through the hole in the top plate using an appropriate clamp and lock nut (supplied by others).
- Connect like colors from the MC cable and Power Pole's pigtails using standard approved wiring methods.
- Fold the wires into the Power Pole channel and replace the top plate and secure with its two side screws.

Step 4 - Replace the Ceiling Tile

- Measure and cut the hole in the ceiling tile through which the Power Pole will pass. Be sure to cut the hole so it is properly positioned and offers a close fit around the Power Pole.
- Replace the ceiling tile.

Step 5 - Trim Plate Installation

- Bend the tabs up at 90°. Be sure to bend them so they point toward the ceiling with the painted side down.
- Slide the two halves of the Trim Plate set together, around the Power Pole. There are small tabs that help align them. (See Fig. 2)
- Move the assembled Trim Plate set up so the bent tabs slide between the edge of the ceiling tile and the Power Pole. (See Fig. 3)
- Bend the tabs above the ceiling tile to hold the Trim Plates in position.





Modular Wired Power Pole Installation Guide

Before installation, remove the Power Pole and all accessories from the shipping carton. Any missing or damaged components should be reported.

Step 1 - Pole Placement

- Determine the points at which the Power Pole will be installed.
- Remove the ceiling tile at the mounting point.
- Affix the T-Bar mounting bracket to the ceiling tile grid using the included thumb screw. (See Fig. 1)

Step 2 - Pole Installation

- Carefully move the Power Pole into the T-Bar mounting bracket so it maintains a vertical position.
- Hold the Power Pole in place with the included thumb screw by threading it through the T-Bar's side hole and against the side of the Power Pole.
- Using a level, adjust for plumb and anchor the Power Pole at its bottom with the foam pad, "L" foot bracket, or cup bracket.

If required, a length of All-Thread may also be used to connect the T-Bar mounting bracket to the roof structure.

Step 3 - Power Connections

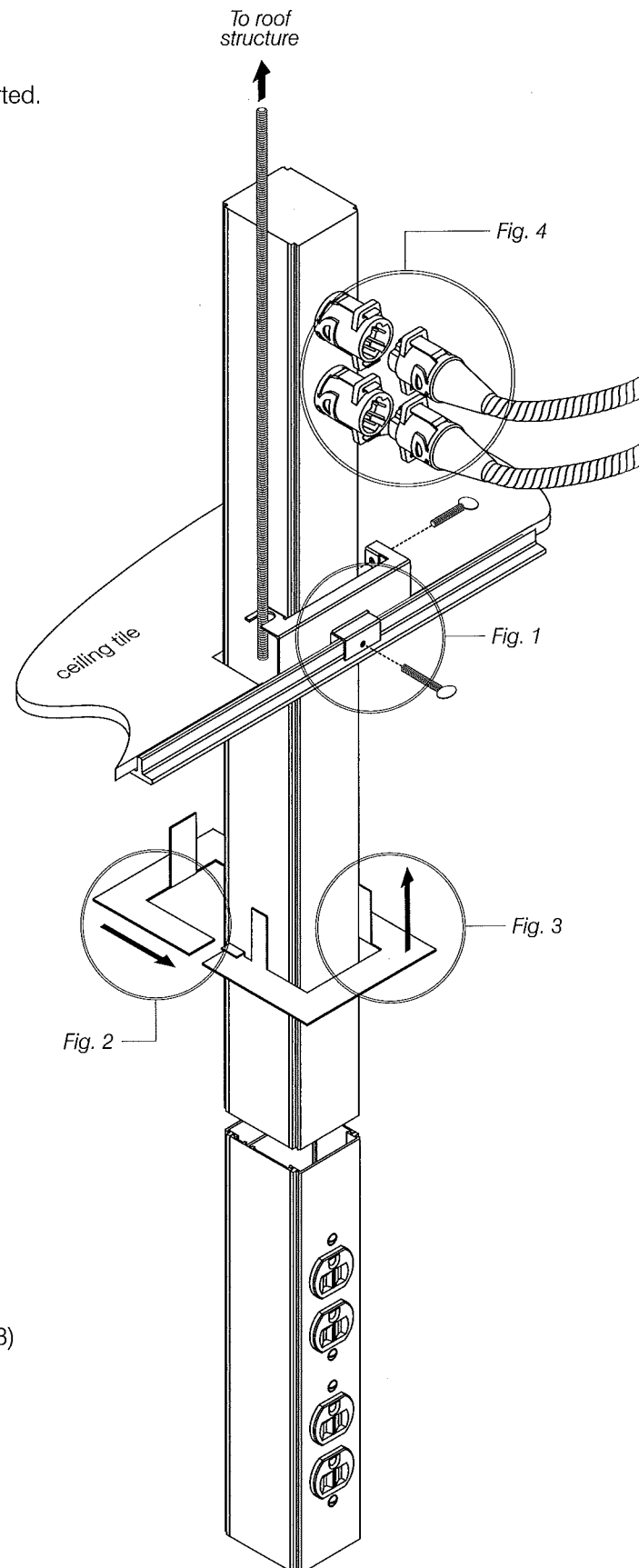
- Join the **ACLinx**[®] cable connectors from the ceiling mounted junction box, which has been wired to power by a licensed electrician using standard approved wiring methods (See Fig. 4), to the corresponding connectors on the Power Pole.

Step 4 - Replace the Ceiling Tile

- Measure and cut the hole in the ceiling tile through which the Power Pole will pass. Be sure to cut the hole so it is properly positioned and offers a close fit around the Power Pole.
- Replace the ceiling tile.

Step 5 - Trim Plate Installation

- Bend the tabs up at 90°. Be sure to bend them so they point toward the ceiling with the painted side down.
- Slide the two halves of the Trim Plate set together, around the Power Pole. There are small tabs that help align them. (See Fig. 2)
- Move the assembled Trim Plate set up so the bent tabs slide between the edge of the ceiling tile and the Power Pole. (See Fig. 3)
- Bend the tabs above the ceiling tile to hold the Trim Plates in position.





Blank Power Pole Installation Guide

Before installation, remove the Power Pole and all accessories from the shipping carton. Any missing or damaged components should be reported.

Step 1 - Pole Placement

- Determine the points at which the Power Pole will be installed.
- Remove the ceiling tile at the mounting point.
- Affix the T-Bar mounting bracket to the ceiling tile grid using the included thumb screw. (See Fig. 1)

Step 2 - Pole Installation

- Carefully move the Power Pole into the T-Bar mounting bracket so it maintains a vertical position.
- Hold the Power Pole in place with the included thumb screw by threading it through the T-Bar's side hole and against the side of the Power Pole.
- Using a level, adjust for plumb and anchor the Power Pole at its bottom with the foam pad, "L" foot bracket, or cup bracket.

If required, a length of All-Thread may also be used to connect the T-Bar mounting bracket to the roof structure.

Step 3 - Power Connections

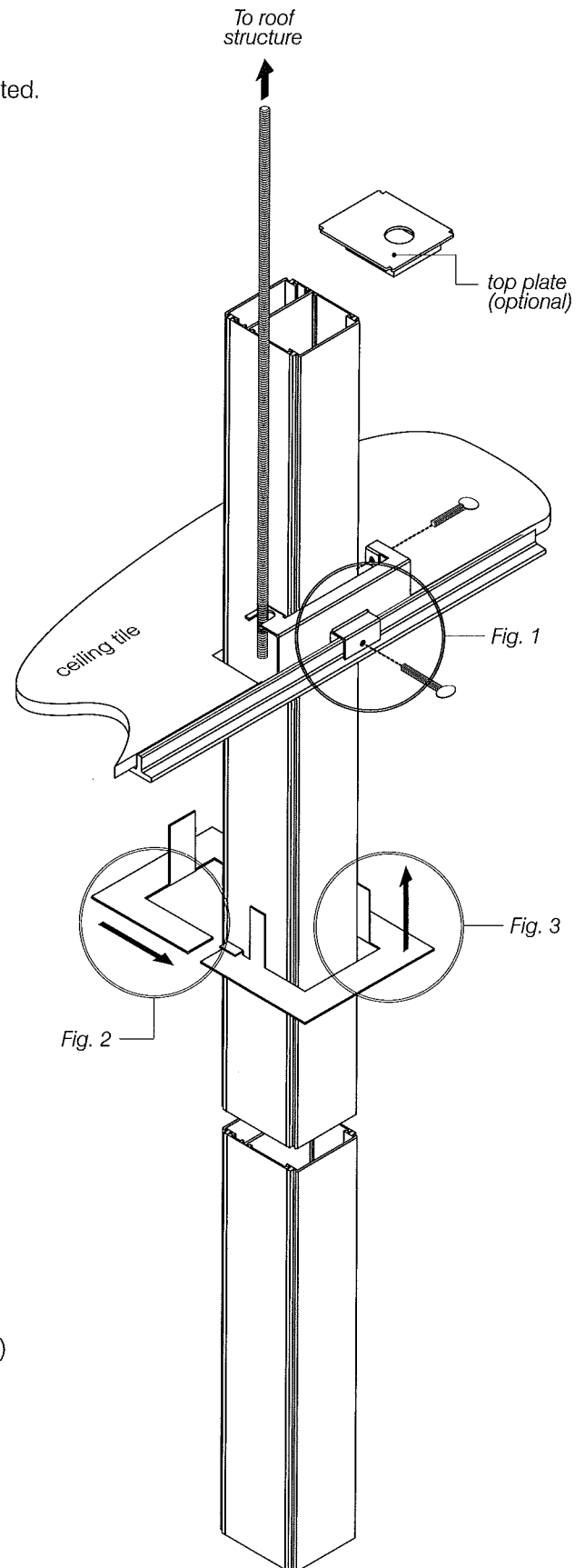
- Remove the optional top plate from the Power Pole by removing the two side screws.
- Wiring and connections to be completed by a licensed electrician using standard approved wiring methods.

Step 4 - Replace the Ceiling Tile

- Measure and cut the hole in the ceiling tile through which the Power Pole will pass. Be sure to cut the hole so it is properly positioned and offers a close fit around the Power Pole.
- Replace the ceiling tile.

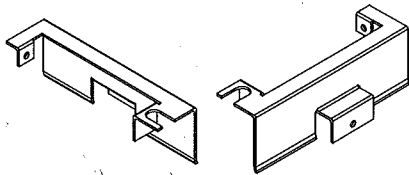
Step 5 - Trim Plate Installation

- Bend the tabs up at 90°. Be sure to bend them so they point toward the ceiling with the painted side down.
- Slide the two halves of the Trim Plate set together, around the Power Pole. There are small tabs that help align them. (See Fig. 2)
- Move the assembled Trim Plate set up so the bent tabs slide between the edge of the ceiling tile and the Power Pole. (See Fig. 3)
- Bend the tabs above the ceiling tile to hold the Trim Plates in position.

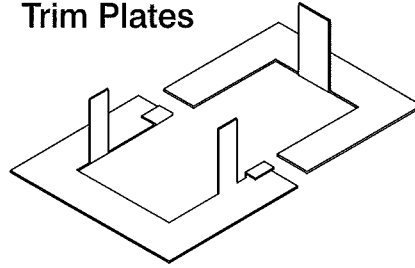


Included with Power Pole Assembly

T-Bar Bracket

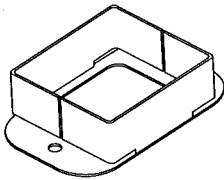


Trim Plates

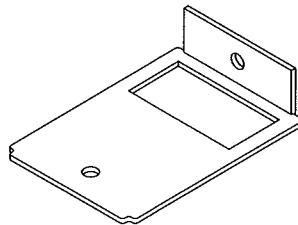


Optional Mount Components

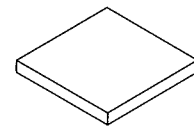
Cup Bracket



"L" Foot Bracket



Foam Pad



D&P Custom Lights & Wiring Systems, Inc.

900 63rd Avenue North • Nashville, TN 37209

tel 615.350.7800 • fax 615.350.8310

www.dandpcustomlights.com