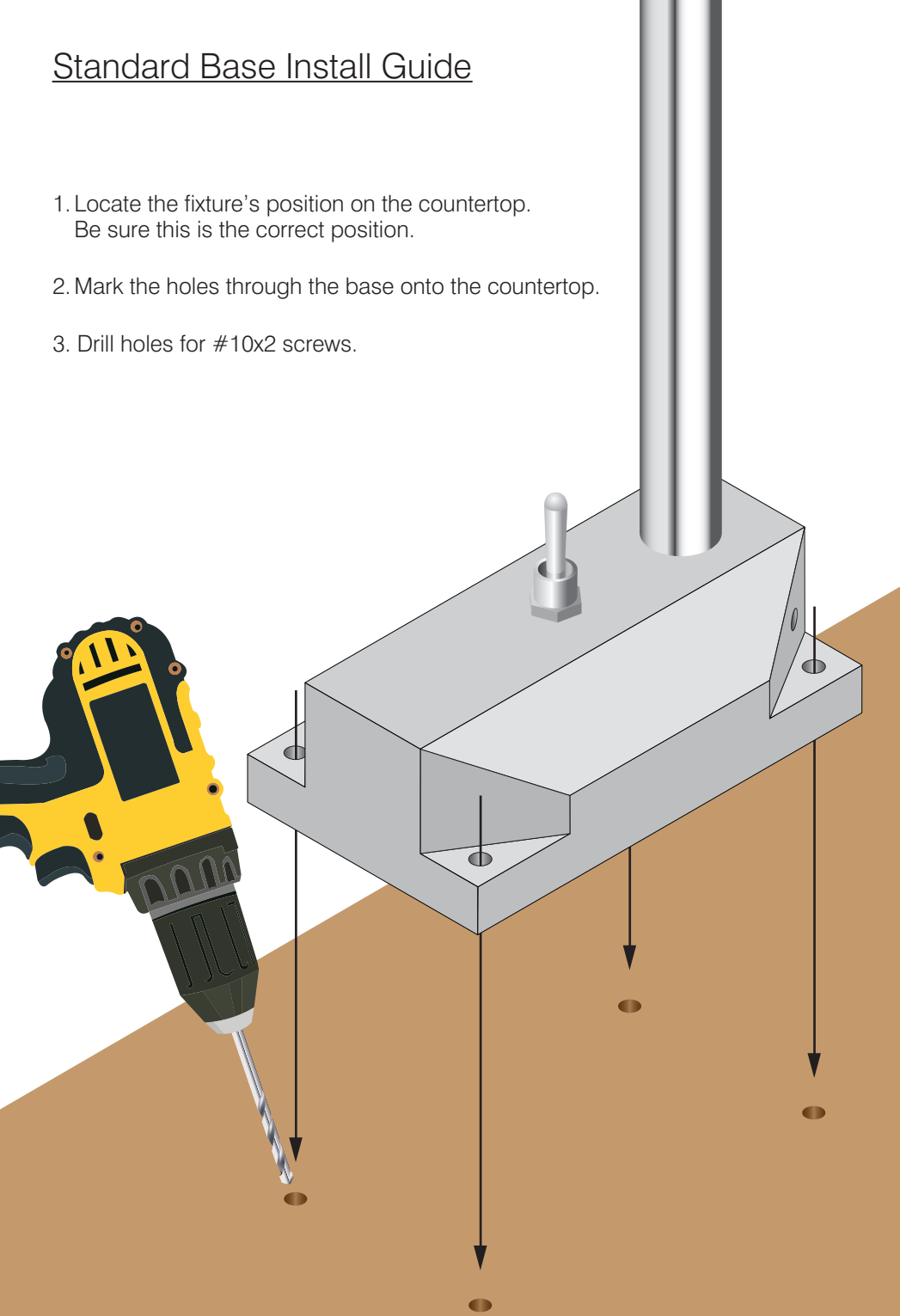


Standard Base Install Guide

1. Locate the fixture's position on the countertop.
Be sure this is the correct position.
2. Mark the holes through the base onto the countertop.
3. Drill holes for #10x2 screws.



4. Lower the fixture onto the countertop so that the holes in the base align with those drilled into the countertop.
5. Attach the fixture to the counter top using the four supplied #10x2 screws.
6. Tighten screws firmly, but be careful not to over-tighten as the screws may strip the holes in the countertop.

