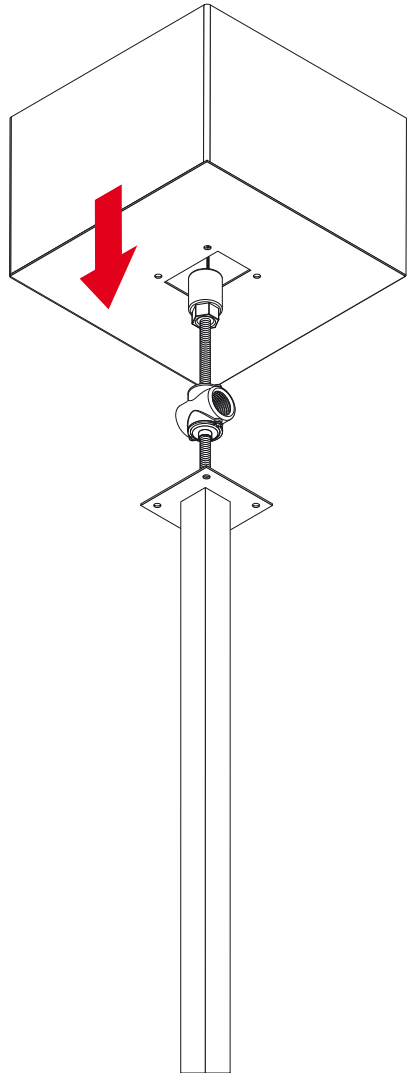


Split Shade Install Guide

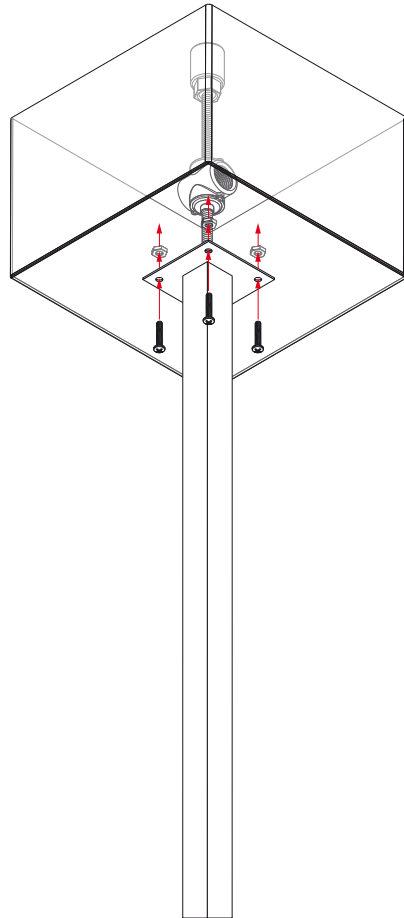
1

Lower the smoked shade element over the sockets until it rests on the post's top mounting plate.



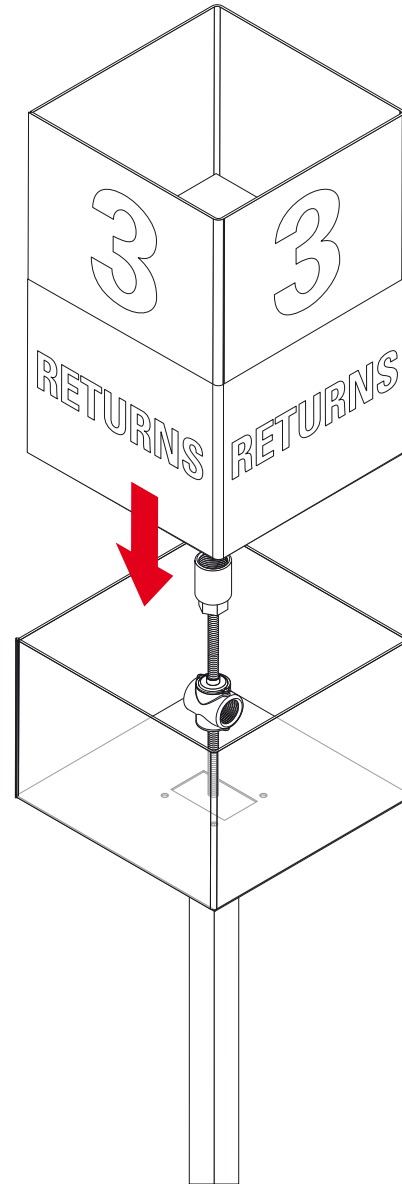
2

Anchor the smoked shade element to the top mounting plate by passing the supplied screws up through the plate and shade holes, then drop the washers over the threads inside the shade and tighten the nuts firmly onto the screw. Do not over-tighten to avoid shade damage.



3

Lower the main shade element carefully so the top socket passes through the internal mid-plate and the main shade element rests on the bottom of the mounted smoked shade element.



4

Complete installation by ensuring that all elements are level, securely attached and stable in their position.

