
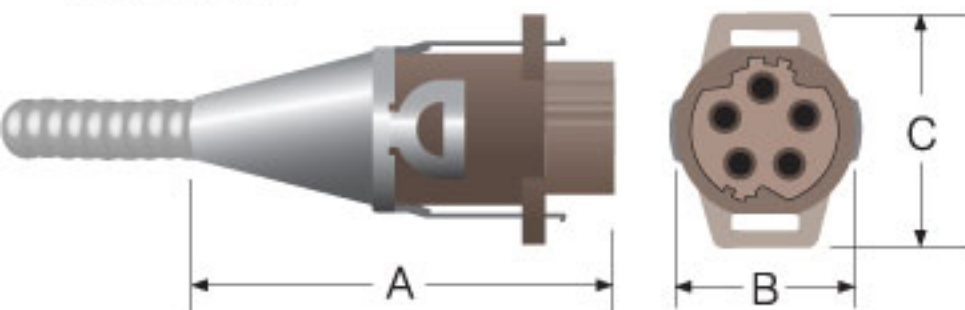


Features

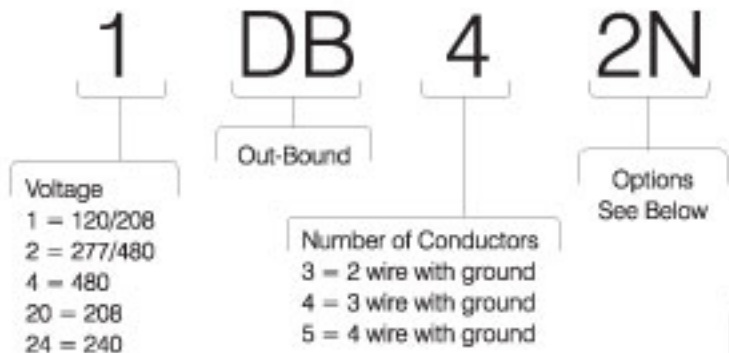
- Easily installed
- Full 20-amp rating
- Single, dual and three circuit models
- #12 AWG copper conductors standard
- #10 AWG copper conductors optional
- 600V, 90° C insulation
- Dead front construction for safety
- Color coded connectors for easy voltage identification
- Keyed components ensure proper connection, function and safety
- Positive locking clips prevent accidental disconnection
- Approved for installation in air handling spaces other than ducts and plenums
-  UL508A

Dimensions



A	B	C
3.375" (85.7mm)	1.25", (31.7mm)	2" (50.8mm)

Product Ordering Key



Options

Suffix	Description
-2N	Dual Neutral
-IG	Isolated Ground
-10G	#10 AWG Copper Conductors

Connector Key Coding

Color	Voltage
Gray	277/480 and 480VAC
Brown	120/208, 208 and 240VAC
Purple	Dual Neutral 120/208VAC
Khaki	Dual Neutral 277/480VAC
Green	Isolated Ground

